

Tarp System Spec Book:

# TarpMaster<sup>®</sup> Series

...for Single Axle to  
Multi-Axle Dump Trucks



**Roll-Rite**<sup>®</sup>  
...Clearly the Best.

**Electric Tarp Systems**

[www.RollRite.com](http://www.RollRite.com)

# Easy Spec & Order Sheet

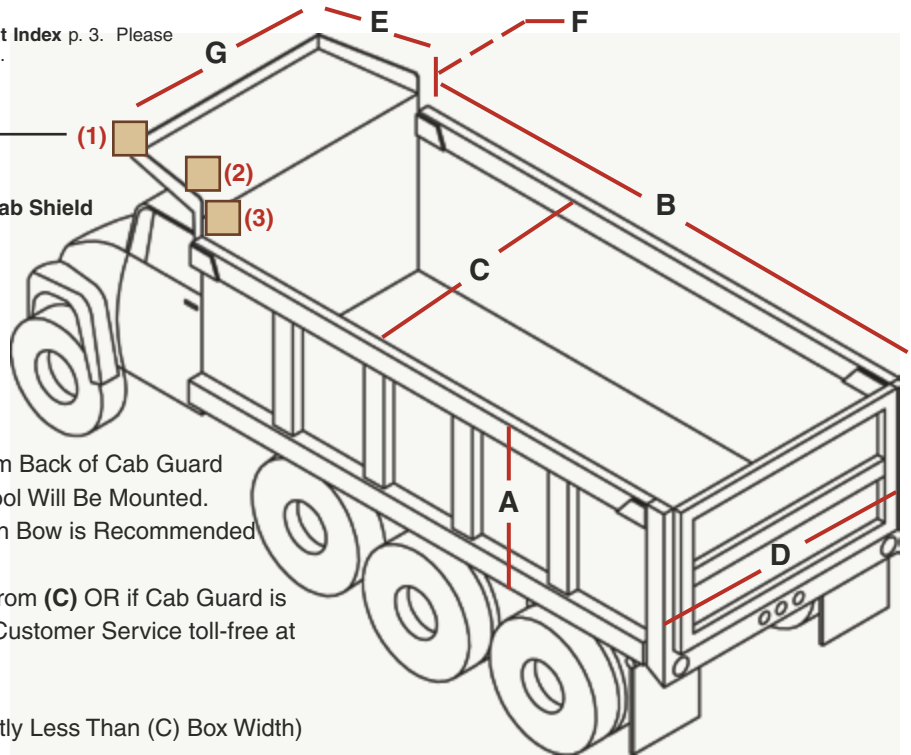
Please use inches for unit measurement.

Part numbers start on page numbers shown in the **Component Index** p. 3. Please read each Component section for important **Fit Considerations**.

### Spool Position:

Check One Box To Show Mounted Spool Position :

- (1) Front of Cab Shield
- (2) Rear Positioned on Top of Cab Shield
- (3) Forward Positioned on Box Top/Behind Cab Shield



**Box:** \_\_\_\_\_ " (A) Height  
 \_\_\_\_\_ " (B) Length  
 \_\_\_\_\_ " (C) Width (inside)  
 \_\_\_\_\_ " (D) Outside Width of Widest Point  
 —If Tailgate is Over 100"

**Cab Shield:** \_\_\_\_\_ " (E) Length —OR— Distance From Back of Cab Guard to Where Spool Will Be Mounted.  
 \_\_\_\_\_ " (F) Rise: —If 8" or More, Tension Bow is Recommended  
 \_\_\_\_\_ " (G) Front Width  
 \*\*If Width Varies Considerably from (C) OR if Cab Guard is Tapered, Please Call Roll-Rite Customer Service toll-free at 1-800-297-9905

**Tarp Size:** \_\_\_\_\_ " Width (Generally Should Be Slightly Less Than (C) Box Width)

(Required\*) \_\_\_\_\_ " Length = \_\_\_\_\_ + \_\_\_\_\_ + \_\_\_\_\_ + 24" (2 feet)  
 (B) (E) (F)

**Pivot Springs:** **Determining Spring Capacity:**  
 Above tarp length calculation and your tarp material determines the number of springs your system requires.

General Aggregate (Mesh) Tarp Applications								
10ft	12ft	14ft	16ft	18ft	20ft	22ft	24ft	26ft
3-Spring			4-Spring			5-Spring		

Asphalt (Solid) Tarp Applications								
10ft	12ft	14ft	16ft	18ft	20ft	22ft	24ft	26ft
4-Spring				5-Spring				

**Please Note:**  
 All Solid Tarp Fabrics Should Be Tied Down.

**Selected System:**

Part # \_\_\_\_\_ **1. Selected Tarp Spool: see p. 5**

Part # \_\_\_\_\_ **2. Selected Pivot Set: see p. 6**

Part # \_\_\_\_\_ **3. Selected Bow Set: see p. 7**

Part # \_\_\_\_\_ **4. Roll-Rite® Tarp Selection: see p. 10-11** (specify by part number)  
 To ensure accuracy, orders for custom tarps must be accompanied by an approved drawing.

**Add-Ons:**

Options/Recommendations:

Part # \_\_\_\_\_ Tension Bow (p. 7)      Part # \_\_\_\_\_ 30° or 45° Tarp Bow Offsets (p. 7)      Part # \_\_\_\_\_ 45° Pivot Offset Kit (p. 6)

**OR:**

### Roll-Rite® Quick-Pick Tarp Systems:

Check on p. 8-9 to see if a Quick Pick Tarp System will meet your application needs.

Quick Pick# \_\_\_\_\_ **A. Roll-Rite® Quick-Pick Tarp System** (see p. 8-9)

Part # \_\_\_\_\_ **B. Roll-Rite® Tarp Selection** (specify by part number)  
 To ensure accuracy, orders for custom tarps (flapped, etc.) must be accompanied by an approved drawing.

Roll-Rite® — Clearly the Best.

**1-800-297-9905**

**Fax: 1-888-827-7329**

# How To Specify:

## Specifying a Complete Roll-Rite® Tarp System

A complete Roll-Rite® Front-to-Back Tarp System consists of **four** main system components as shown below. The following pages listed in the index below give important fit considerations and recommendations in selecting the system components that will best meet the needs of your truck and application. Choosing the right system components is the best way to get maximum performance from your tarp system.



Tarp Spools.....p. 4-5

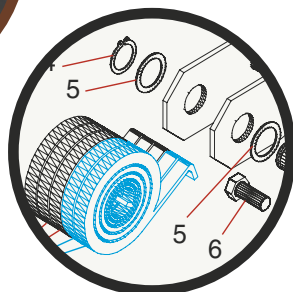
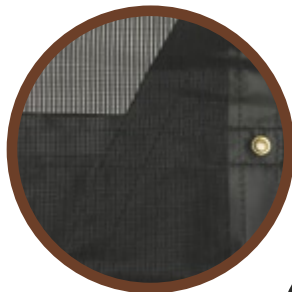
Pivot Arms ..... p. 6

The 45° Pivot Arm Offset..... p. 6

Bows, Offsets & Tension Bow.....p. 7

Quick-Pick Systems.....p. 8-9

Tarps ..... p. 10-11



Parts & Diagrams .....p.12-15

Tarp Spool Diagram ..... p. 12

Pivot Set Diagram.....p. 13

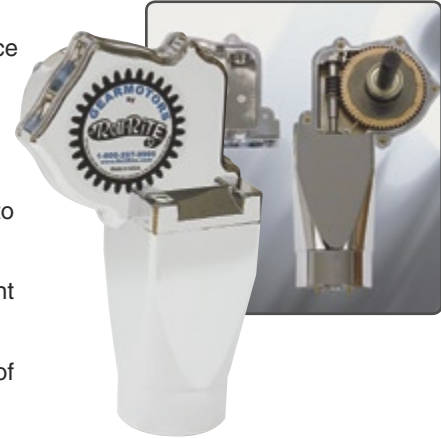
Bow Set Diagrams.....p. 14-15

# The Electric Tarp Spool Kit

## TarpMaster® Tarp Motor:

The TarpMaster®, today's industry standard for general purpose tarping, is designed to power systems using up to 24 feet of tarp and features:

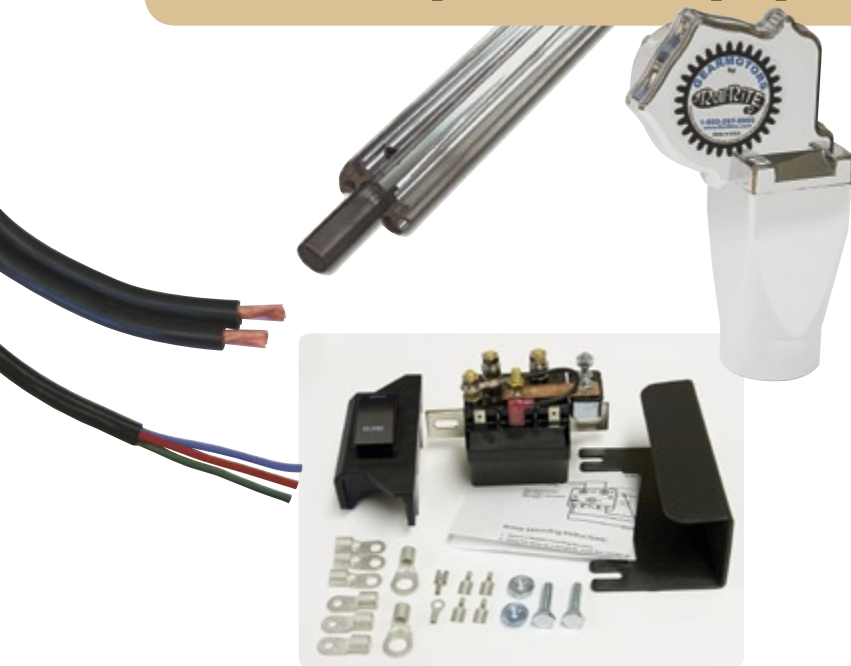
- **Tougher...3 times** more crash protection and requires **7.4 times** more force to break than its torque output.
- **High Polished...** Chrome-plated casing adds distinct impact to your truck profile for a professional, attractive appearance.
- **Corrosion Resistance...** Protective casings and covers are designed to be **virtually corrosion proof!**
- **Worm Gear Technology...** industry standard technology provides efficient power for general tarping requirements.
- **Unconditional Warranty...** The TarpMaster® features and industry first of a 3-year unconditional warranty upon product registration.



## TarpMaster® Specifications:

TarpMaster® Series Motor	Tarp Length Up To:	Warranty	Bolt Mount Pattern	Hardened Steel Output Shaft			Gear Technology		RPM	Max. Torque (Ft-lb)
				Dim.	Hole	Melanited?	Style	Ratio		
10310	24'	3-Yr	4	2-1/2" L x 3/4"	Single	Y	Worm	60:1	64	100

## Inside a TarpMaster® Tarp Spool Kit:



### All Tarp Spool Kits Include:

- TarpMaster® Tarp Motor
- Pre-Threaded Tarp Axle w/Stub Shaft
- Heavy Duty Electric Kit with Open/Close Rocker Switch
- 6-gauge Dual Conductor Wire: 60 feet
- 14-gauge 3-Conductor Wire: 15 feet
- Mounting Hardware (varies by spool style)

Roll-Rite® — Clearly the Best.

**1-800-297-9905**

# Selecting a Tarp Spool Kit

## TarpMaster® Tarp Spool Kits:

### w/ Housing



#### Part # Description

- 36010 TarpMaster® Tarp Spool w/ 92" Housing
- 36060 TarpMaster® Tarp Spool w/ 98" Housing
- 36110 TarpMaster® Tarp Spool w/ 104" Housing

#### Fit Considerations

- Housing Surrounds Tarp for Ultimate Wind & Tarp Protection
- Places Tarp And Bows Furthest Away From "Load Zone"
- Completely Pre-assembled with Gear Motor
- Available in 92", 98", and 104" sizes

### w/ Wind Deflector



#### Part # Description

- 36460 TarpMaster® 97" Tarp Spool w/ Wind Deflector
- 36480 TarpMaster® 103" Tarp Spool w/ Wind Deflector

#### Fit Considerations

- A Very Cost Effective Way To Get Frontal Wind And Tarp Protection
- Light Weight And Custom Fitted Install
- Requires Aluminum Cutting & Gear Motor Assembly
- Available in 97" and 103" sizes

### Tarp Spool Only



#### Part # Description

- 36370 TarpMaster® 97" Tarp Spool
- 36390 TarpMaster® 103" Tarp Spool

#### Fit Considerations

- Cost Effective Conversion For Existing Hand Crank Systems
- Integrates Into Cab Shield For Less Visible Install
- Requires Gear Motor Assembly
- Available in 97" and 103" sizes



Shown: Tarp Spool with Stub Shaft Installed.

For Tarp Spool Part Diagrams, See p. 12-13

Roll-Rite® — Clearly the Best.

1-800-297-9905

# Pivot Arms & Tarp Bows

## Pivot Arms:



### Roll-Rite® Tarp Arms: The Bow & Pivot Arm

Each arm is comprised of a specially treated, high strength extruded aluminum alloy. Our 4-spring and 5-spring External Pivot Sets come standard with 84" pivot arms.

- **Strongest Arms...** Patented arm design and special extrusion delivers the lightest, most durable tarp arm with the best strength to weight ratio
- **Telescopic Fit...** Allows for easy installation and widest range of system variations
- **High Polished...** Each arm is buffed and polished to a mirror-like finish
- **Manufactured in America**

## External Mount with Pivot Arms:

### Fit Considerations

- Quick and Easy Installation
- Pre-Assembled with 84" Passenger Side and Driver Side Pivots Arms
- Available in 3, 4 or 5 Spring Capacity
- 3-Springs are recommended for up to 16 feet of tarp
- 4-Springs are recommended for up to 20 feet of tarp
- 5-Springs are recommended for up to 26 feet of tarp



Part #	Description
46430-31	External 3-Spring Pivot Set w/31" Pivot Arms
46440	External 4-Spring Pivot Set w/84" Pivot Arms
46450	External 5-Spring Pivot Set w/84" Pivot Arms

For Pivot Set Part Diagrams, See p. 14

## Tarp Bows:

### Fit Considerations

- If Your Truck Cab Guard is Over 8" Tall, Roll-Rite® Recommends adding the Tension Bow Option Below
- If You Need to Clear a Tailgate of Over 100" at the Widest Point use the Wide Bow Set (76720)
- Adjustable for a customized tarp system fit
- New 30° Offset Tarp Bow Features a One-Piece Design



Part #	Description
76700	Standard Tarp Bow Set w/ 84" Side Arms (Includes 2- 76764 and 1- 76770)
76700-98	Tarp Bow Set w/ 98" Side Arms (Includes 2-76760 and 1-76770)
76703	30° Offset Tarp Bow Set w/ 105-1/2" Side Arms (Includes 2-76767 and 1-76770)

For All Bow Set Part Diagrams, See p. 14-15

Roll-Rite® — Clearly the Best.

**1-800-297-9905**

Items are listed as each unless otherwise indicated.

# Tension Bows & Bow Offsets

## Tension Bows:

### Fit Considerations

- Recommended for Securing Tarp Behind Cab Guards Measuring Over 8" Tall
- 30° and 45° Tarp Bow Offsets Can Be Used for Customized Fit (see Bow Offsets below)
- Use The Wide Tension Bow To Clear Tailgate Over 100" At Widest Point



Part #	Description
76710	Standard Tension Bow Set (Includes 2- 76780 and 1- 76790)
76730	Wide Tension Bow Set (Includes 2- 76780 and 1- 76890)

For All Bow Set Part Diagrams, See p. 14-15

## Bow Offsets:

### Standard Bow Offset Benefits:

- Angle tarp and tension bows to avoid load zone area or to clear cab doors
- Adjustability for a customized tarp system fit
- Available in 30° or 45° Elbow Angles
- Can be installed with both Tarp Bows and Tension Bows



Standard Offset Tarp & Tension Bow

Part #	Description	76910	76900
76900	30° Flat Bow Elbow (Each)		
76910	45° Flat Bow Elbow (Each)		

Items are listed as each unless otherwise indicated.

## Quick-Pick Tarp Systems

# TarpMaster® Series Quick-Pick Tarp Systems!

### For Use with 16'-24' of Tarp

All you need is your Calculated Tarp Length from the Easy Spec & Order Sheet (inside cover). Tarps sold separately.

Unless otherwise indicated Quick-Picks include:

- A TarpMaster® Wind Deflector Tarp Spool Kit
- External Mount Pivot Set
- Standard Tarp Bow Set
- Flat 30° or 45° Elbow Offsets are **FREE** upon request



## Single Axle: w/ Wind Deflector

Part #	Description	63073
63070	TarpMaster® 3-Spring for up to 16' of Tarp	
63073	TarpMaster® 3-Spring w/Tension Bow for up to 16' of Tarp	



## Single Axle: w/Tarp Spool Only

Part #	Description
63071	TarpMaster® 3-Spring - for Built-ins Using up to 16' of Tarp

63071 shown w/tension bow option, sold separately



## Tandem Axle: w/ Wind Deflector

Part #	Description
64170	TarpMaster® 4-Spring for up to 22' of Tarp



64170

## Tandem Axle: w/ Wind Deflector

Part #	Description
64171	TarpMaster® 4-Spring w/ Tension Bow for up to 22' of Tarp

64171



# Quick-Pick Tarp Systems

## Tandem Axle: w/ Wind Deflector

Part #	Description
64174	TarpMaster® 4-Spring w/30° Offset Tarp Bow for up to 22' of Tarp



64174

## Multi-Axle: w/ Wind Deflector

Part #	Description
65712	TarpMaster® 5-Spring for up to 26' of Tarp
65175	TarpMaster® 5-Spring w/ 30° Offset Bow for up to 26' of Tarp



65712

## 5-Year Warranty Upgrades:

### Super Duty Gear Motor w/5-Year Warranty



Designed for bigger trucks, our patented Super Duty is the tarp industry's leading gear motor and features...

- **Engineered...** specifically for high torque tarping demands
- **Spur Gear Technology...** features a spur and helical gearing configuration with forged steel heat treated gears and precision ground ball bearings for a much longer transmission life than worm-style transmission
- **5-year Warranty...** Industry's first non-prorated warranty against premature wearout. The Super Duty gear motor is warranted for a period of 5-years

## Super Duty Specifications:

Super Duty Series Motor	Part No.	Tarp Length Up To:	Non-Prorated Warranty	Bolt Mount Pattern	Melanited Hardened Steel Output Shaft		Gear Technology			RPM	Max. Torque (Ft-lb)
					Dim.	Hole	Style	Reduc.	Ratio		
Super Duty	10120	48'	5-Yr	6	1-7/16" L x 3/4"	Single	Spur	4-stage	61:1	66	150

## Electric Kit w/ Solid State Relay:



### Fit Considerations:

- In-cab electric switch operation for easy operation
- Quick and easy installation into existing truck control panel or mounting on tower control console
- Kit comes complete with open/close momentary rocker switch w/ mounting bracket, solid state relay, terminal connectors and fasteners

### Features:

- 5-Year Warranty: Solid State Relay features 5-Year warranty
- Built-in circuit protection for advanced motor and relay protection
- LED diagnostic light
- Relay potted for corrosion resistance

Items are listed as each unless otherwise indicated.

**Roll-Rite® — Clearly the Best.**  
**1-800-297-9905**

# Roll-Rite® Premium Tarps

## Selecting Tarp Fabrics ...Please Note Recommendations\*

Stock Tarps are now 84" or 88" Wide and priced as each. Custom width, flapped or pleated are priced per lineal foot. To ensure tarp order accuracy, **please specify part no., width and length** on provided spec sheet (inside front cover).

### Premium Mesh: For General Applications



- **Strongest mesh** fabric you can get in the industry for general tarping
- Premium 7.7 oz. woven fabric made of two, 1,000 denier polyester twisted strands coated with UV resistant PVC
- 7.5x5 weave contains even fine particles yet breathes enough to minimize flapping
- Not broken down by sunlight like common PVC coated materials
- Edges bound to add strength and provide a finished appearance

### Heavy Duty Asphalt: Premium Heavier Weight & Extra Wind Protection for Asphalt Loads



- Premium 18 oz. vinyl with heat welded finished edges
- Heavier weight minimizes tarp flapping in high wind
- Waterproof
- Grommets placed every 24" down the sides
- \*Solid tarps should be pretreated between asphalt loads in the same fashion as your truck beds
- \*Solid tarps, especially solid pleated and flapped tarps, should be tied down using provided grommets. This will help prevent wind damage to components caused by flopping tarps

### Super Tough Mesh: for More Demanding Debris



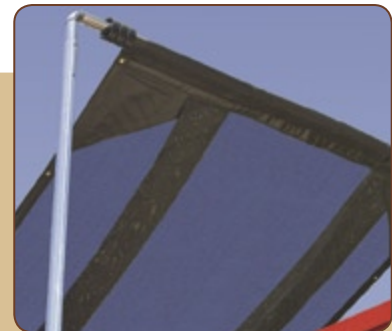
- Users experience **3 to 5 times** wear life over other scrap/refuse tarps
- Premium 13 oz Heavy Weight Woven Mesh made of 7,500 denier strands of UV resistant polypropylene
- 7x7 weave breathes enough to minimize flapping
- Not broken down by sunlight like common PVC coated materials
- Edges bound to add strength and provide a finished appearance

## The Pleated Tarp Design:

Yes, you can have the benefits of both a straight tarp *and* a flapped tarp with *none* of the hassles. **Two pleated folds along the length of the tarp** actually expand up to 10' wide to function like flaps. The Pleated Tarp lets you:

- Eliminate shock cords
- Forget the seams
- Stop straining to reach the center of a flapped tarp
- Save Money

Pleated Tarps are a custom order and available in Premium Mesh, Super Tough Mesh or Heavy Duty Asphalt fabrics.



**The Pleated Tarp  
Wider, Better and  
Costs Less.**

Roll-Rite® — Clearly the Best.

**1-800-297-9905**

Items are listed as each unless otherwise indicated.

# Stock & Custom Tarps

## Premium Mesh:

Premium Mesh Stock 84" OR 88" Wide		
84" W Part#	88" W Part#	Length (ft)
81120	81121	12
81140	81141	14
81160	81161	16
81180	81181	18
81200	81201	20
81220	81221	22
81240	81241	24
81260	81261	26

Custom Premium Mesh	
Part#	Description
81010	up to 84" wide
81020	85"-120" wide
81030	121"-144" wide
81025	up to 144" wide w/ customizations
81050	12" Flaps w/Grommets
81060	12" Flaps w/Shock-cord

## Heavy Duty Asphalt:

Heavy Duty Asphalt Stock 84" OR 88" Wide		
84" W Part#	88" W Part#	Length (ft)
83120	83121	12
83140	83141	14
83160	83161	16
83180	83181	18
83200	83201	20
83220	83221	22
83240	83241	24
83260	83261	26

Custom Heavy Duty Asphalt	
Part#	Description
83010	up to 86" wide
83020	87"-124" wide
83025	up to 124" wide w/ customizations
83050	12" Flaps w/Grommets
83060	12" Flaps w/Shock-cord

## Super Tough Mesh:

Super Tough Stock 84" Or 96" Wide		
84" W Part#	96" W Part#	Length (ft)
86140	---	14
86180	---	18
86200	86202	20
86220	86222	22
86240	86242	24
86260	86262	26

Custom Super Tough Mesh	
Part#	Description
86020	up to 120" wide
86025	up to 120" wide w/ customizations
86050	12" Flaps w/Grommets
86060	12" Flaps w/Shock-cord

## Pleated Tarps:

Custom Pleated Tarps	
Part#	Description
81040	Pleated Mesh
83040	Pleated Heavy Duty Asphalt
86040	Pleated Super Tough Mesh

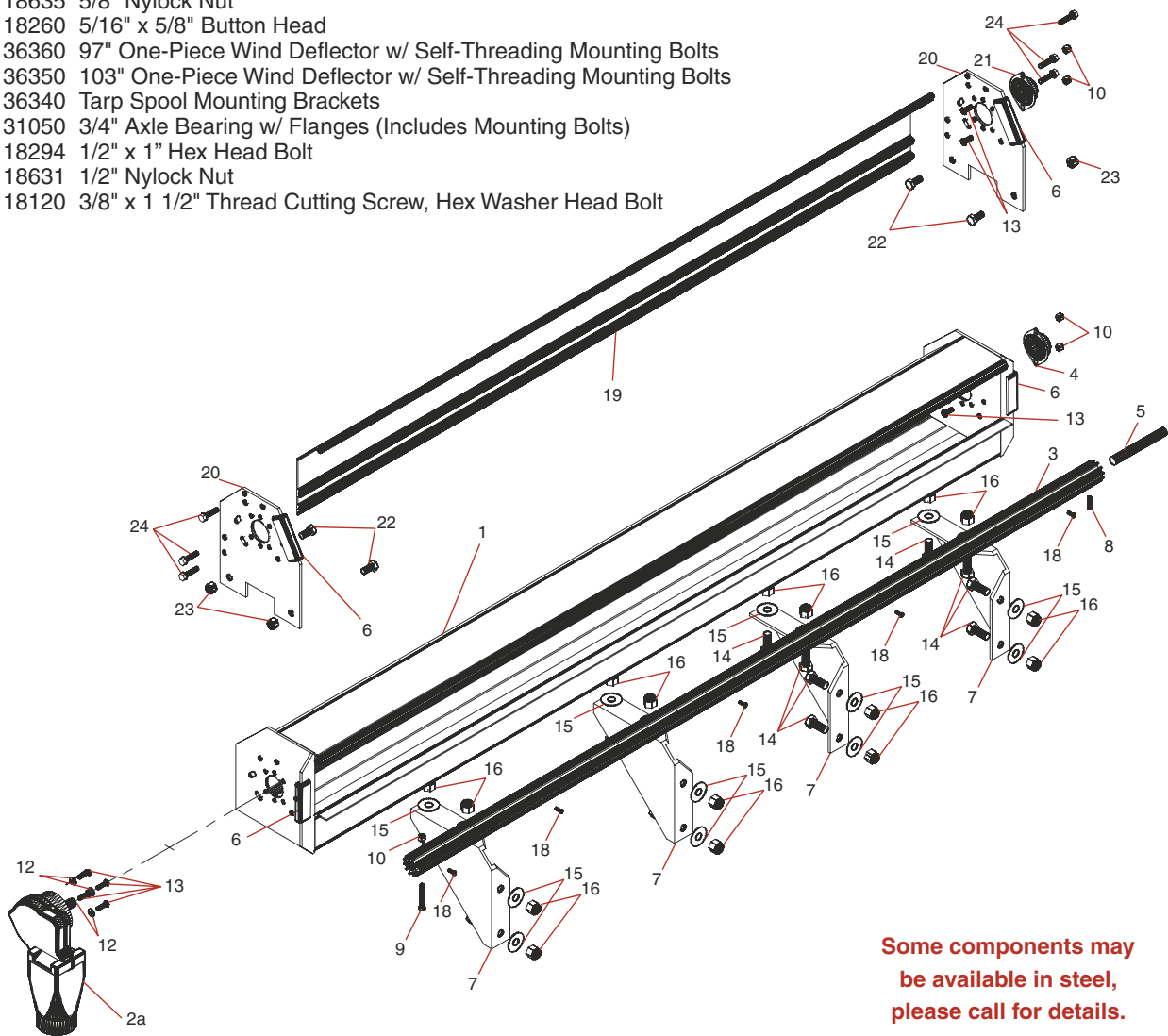
Special reinforcement requests may incur additional charges.  
**All Custom Tarp Orders** (super tough mesh, flapped, pleated, etc) **Must Be Accompanied**  
**By An Approved Drawing. (Please See Custom Order Policy, p. 23).**

# Tarp Spool Parts & Diagram

## Tarp Spool Kit

Diagram Covers the Following Spool Kits from p. 5:  
 36010, 36060, 36110 TarpMaster® Tarp Spool w/ Housing  
 36370, 36390 Tarp Spool Only  
 36460, 36480 Tarp Spool w/ Wind Deflector

Ref#	Part#	Description
1a	36150	92" Tarp Spool Housing (Shell Only)
1b	36160	98" Tarp Spool Housing (Shell Only)
1c	36170	104" Tarp Spool Housing (Shell Only)
2	10130	Gear Motor, TarpMaster
3a	31020	91" Pre-Threaded Tarp Axle w/ Stub Shaft
3b	31030	97" Pre-Threaded Tarp Axle w/ Stub Shaft
3c	31040	103" Pre-Threaded Tarp Axle w/ Stub Shaft
4	31050	3/4" Axle Bearing w/ Flanges (Each, Includes Mounting Bolts)
5	10160	3/4" x 5 1/2" Axle Stub Shaft
6	36300	Rubber Bumper for Tarp Spool
7	36850	Aluminum Housing Support Braces
8	18370	5/16" x 1 1/4" Spring Pin
9	18280	5/16" x 2 1/2" Bolt
10	18613	5/16" Nylock Nut
12	18400	5/16" Flat Washer
13	18210	5/16" x 7/8" Button Head Bolt
14	18710	5/8" x 1 1/2" Hex Head Bolt
15	18414	5/8" USS Flat Washer
16	18635	5/8" Nylock Nut
18	18260	5/16" x 5/8" Button Head
19a	36360	97" One-Piece Wind Deflector w/ Self-Threading Mounting Bolts
19b	36350	103" One-Piece Wind Deflector w/ Self-Threading Mounting Bolts
20	36340	Tarp Spool Mounting Brackets
21	31050	3/4" Axle Bearing w/ Flanges (Includes Mounting Bolts)
22	18294	1/2" x 1" Hex Head Bolt
23	18631	1/2" Nylock Nut
24	18120	3/8" x 1 1/2" Thread Cutting Screw, Hex Washer Head Bolt



Some components may  
 be available in steel,  
 please call for details.

Roll-Rite® — Clearly the Best.

1-800-297-9905

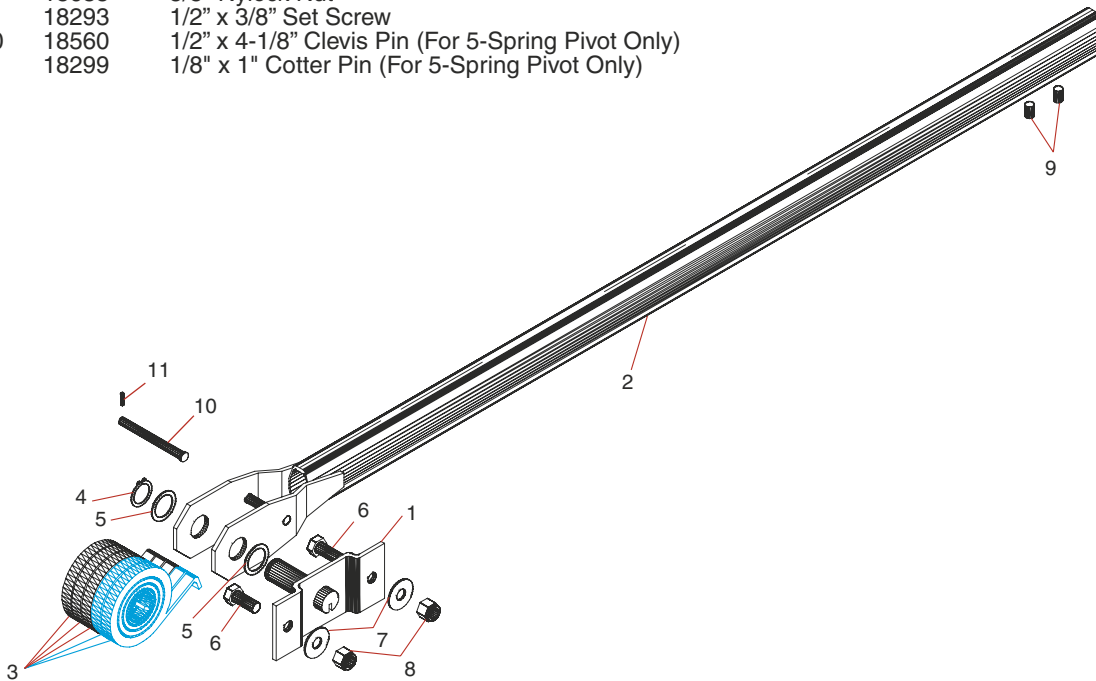
Items listed as each unless otherwise indicated.

## External Mount Pivot Parts

Diagram Covers the Following Pivot Sets from p. 6:

46430, 46440, 46450 External Mount Pivot Sets

Ref#	Part#	Description
1a	45330	3-Spring Pivot Pin—includes a 47000 & 2-47010 (Steel or Alum. External Mounts)
1b	45340	4-Spring Pivot Pin—includes a 47000 & 2-47010 (Steel or Alum. External Mounts)
1c	45350	5-Spring Pivot Pin—includes a 47000 & 2-47010 (Steel or Alum. External Mounts)
2a	46130	Pivot Arm w/ Side Plates and Set Screws for 3-Spring External Mount (48")
2b	46130-31	Pivot Arm w/ Side Plates and Set Screws for 3-Spring External Mount (31")
2c	46140	Pivot Tube w/ Side Plates and Set Screws for 4-Spring External Mount (84")
2d	46150	Pivot Tube w/ Side Plates and Set Screws for 5-Spring External Mount (84")
3	47230	Spiral Torsion Spring (Fits All Roll-Rite Pivots w/ 1 1/4" Pivot Pins)
4	47000	Snap Ring for Pivot Pins
5	47010	Machinery Bushing for Pivot Pins
6	18710	5/8" x 1-1/2" Hex Head Bolt
7	18414	5/8" USS Flat Washer
8	18635	5/8" Nylock Nut
9	18293	1/2" x 3/8" Set Screw
10	18560	1/2" x 4-1/8" Clevis Pin (For 5-Spring Pivot Only)
11	18299	1/8" x 1" Cotter Pin (For 5-Spring Pivot Only)



Items are listed as each unless otherwise indicated.

**Roll-Rite®** — Clearly the Best.  
**1-800-297-9905**

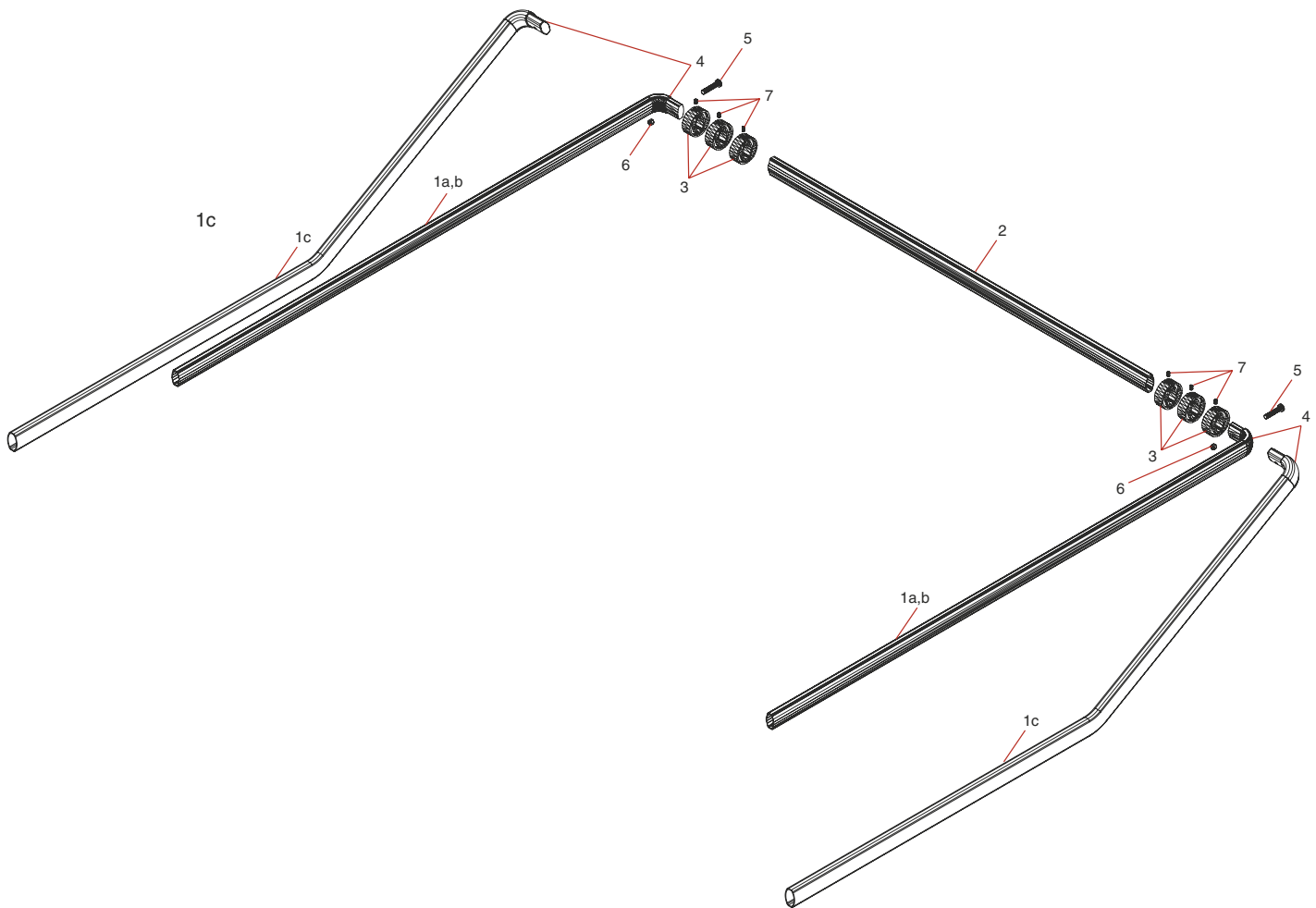
# Bow Set Parts & Diagram

## Tarp Bow Only

Diagram Covers the Following Bow Sets from p. 7:

### 76700, 76720 Tarp Bow Set

Ref#	Part#	Description
1a	76760	98" Side Arm w/ Corner for Tarp Bow (98" plus corner)
1b	76764	84" Side Arm w/Corner for Tarp Bow (84" plus corner)
1c	76767	105 1/2" with 30 deg. Bend 32" Down
2a	76770	Standard Top Tube for Tarp Bow (98" width)
2b	76870	Wide Top Tube for Tarp Bow (105 1/2" width)
3	76810	Tarp Centering Flange w/ Set Screw
4	76800	90° Corner
5	18214	5/16" x 1 3/4" Hex Head Bolt
6	18613	5/16" Nylock
7	18228	5/16"-18 x 1/2" Set Screw



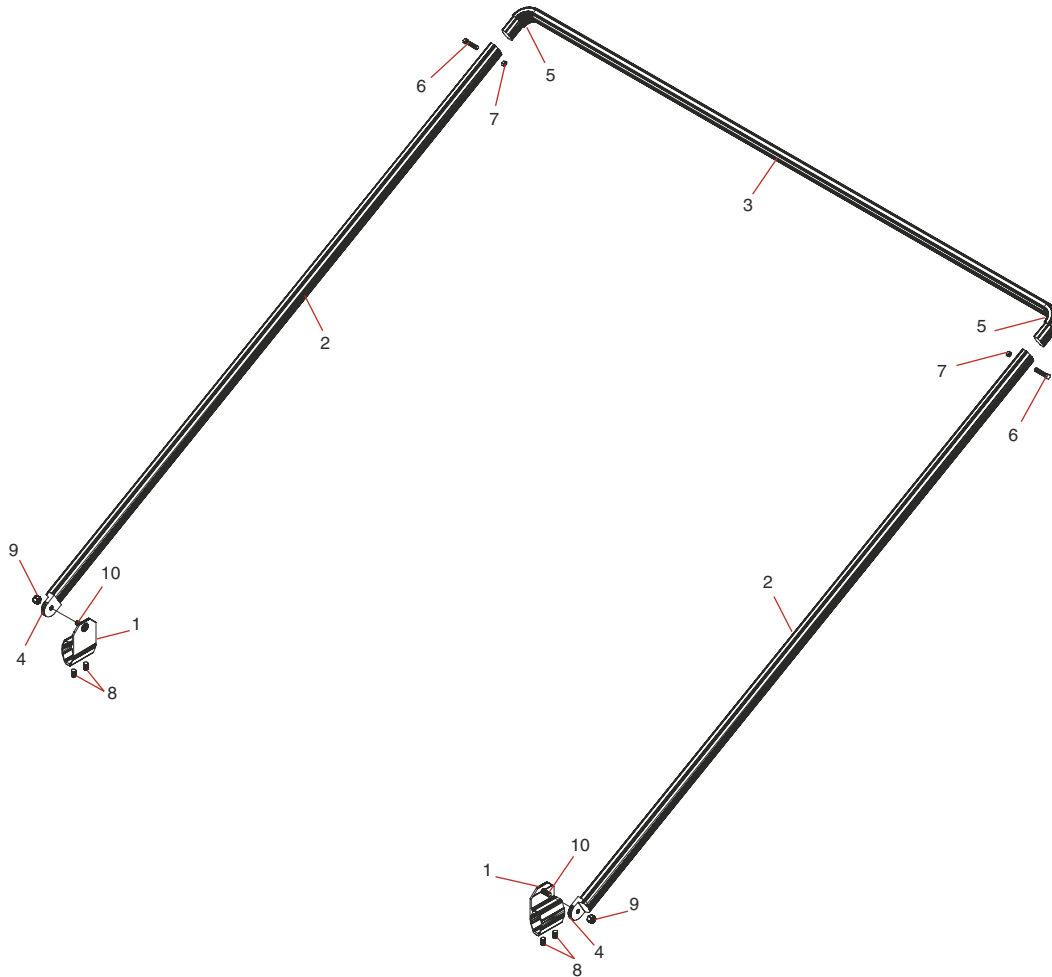
## Tension Bow

Diagram Covers the Following Bow Sets from p. 7:

76710, 76730, 76840, 76850 Tension Bow Set

### Ref# Part# Description

1	76830	Tension Bow Mounting Bracket
2a	76780	Side Arm w/ End Tab for Tension Bow (98" + tab)
2b	76880	Long Side Arm w/ End Tab for Tension Bow (130" + tab)
3a	76790	Standard Top Tube w/ Corners for Tension Bow (98" + corners)
3b	76890	Wide Top Tube w/ Corners for Tension Bow (105 1/2" + corners)
4	76820	Tension Bow End Tab
5	76800	90° Corner
6	18214	5/16" x 1 3/4" Hex Head Bolt
7	18613	5/16" Nylock
8	18293	1/2" x 3/8" Set Screw
9	18631	1/2" Nylock Nut
10	18130	1/2" x 1-1/4" Ribbed Neck Carriage Bolt

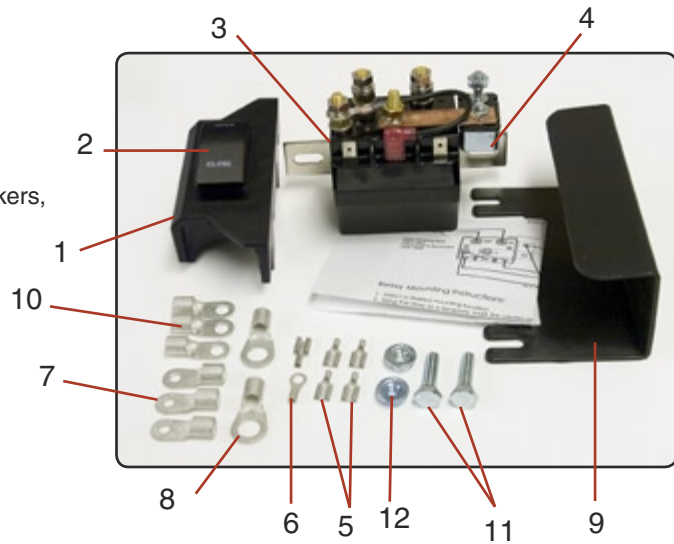


Items are listed as each unless otherwise indicated.

**Roll-Rite®** — Clearly the Best.  
**1-800-297-9905**

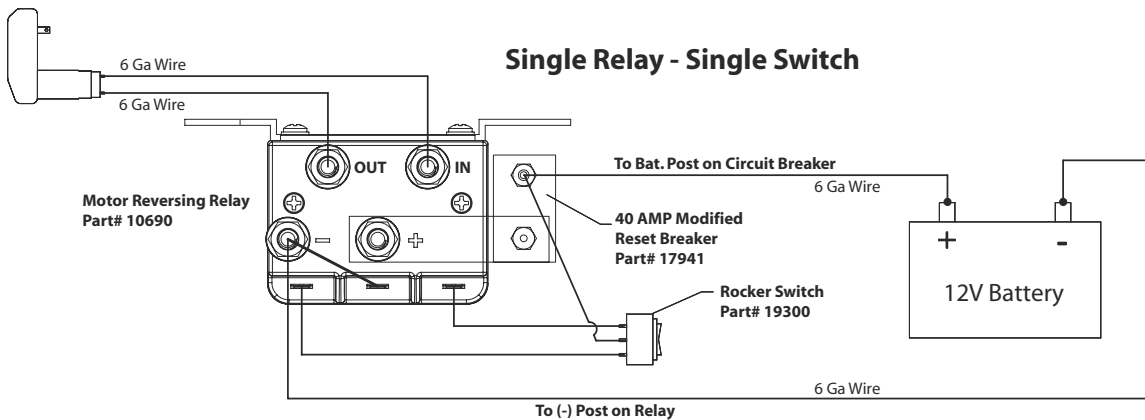
## 10900 Heavy Duty Electric Kit & Replacement Parts:

Ref#	Part#	Description
1	10390	Mounting Bracket for Rocker Switch
2	19300	Rocker Switch (OPEN-CLOSE)
3	10690	HD Motor Reversing Relay (12 Volt)
4	17941	40 Amp. Modified Reset Breaker
5	16180	B3FE-250 14 ga. Quick Disconnect Terminal
6	16170	B1R-56 14 ga. Terminal w/ 5/16" ring
7	16020	E1R-10 Terminal for the Switch, Circuit Breakers, And Motors
8	16030	E1R-38 Terminals for the Battery
9	10685	Cover for 10690 Relay
10	16021	6ga Terminal w/ 1/4" Ring
11	18700	1/4" x 1" Hex Head Bolt
12	18620	1/4" Wiz Nut



## 10900 Heavy Duty Electric Kit Specifications:

- 40 Amp Modified Reset Breaker #17941
- Motor Reversing Relay #10690
- Momentary Rocker Switch #19300
- 6 Ga. Dual Conductor Wire #11330
- 14 Ga. 3-Conductor Wire #11410



For Technical Services:  
**1-800-297-9905**  
**www.RollRite.com**



**AUTHORIZED  
 DISTRIBUTOR:**

