

Tarp System Spec Book:

Super Duty DT Series

...for Dump Trailers



Roll-RITE
...Clearly the Best. 

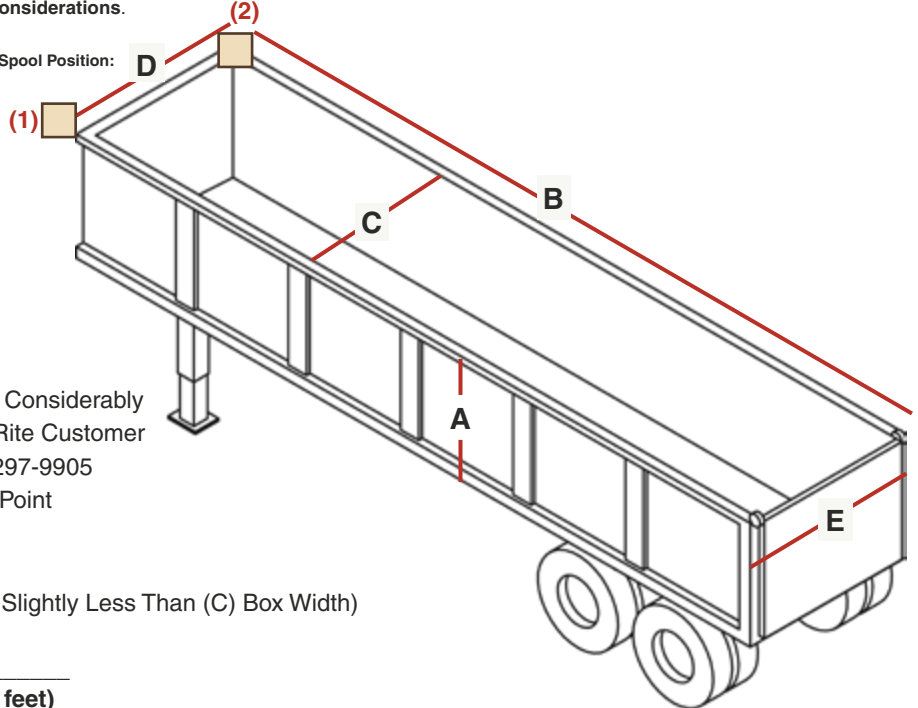
Electric Tarp Systems

www.RollRite.com

Easy Spec & Order Sheet

Please use inches for unit measurement. Part numbers start on the following pages. Please read each Component section for important **Fit Considerations**.

Spool Position: Check One Box To Show Mounted Spool Position:
 (1) Forward of Trailer —OR— (2) Top of Trailer



- Box: _____ " (A) Height
 _____ " (B) Length
 _____ " (C) Inside Width
 _____ " (D) Front Mounting Width
 **If Mounting Width Varies Considerably from (C) Please Call Roll-Rite Customer Service toll-free at 1-800-297-9905
 _____ " (E) Outside Width of Widest Point
 —If Tailgate is Over 100"

Tarp Size: _____ " Width (Generally Should Be Slightly Less Than (C) Box Width)

(Required) _____ " Length = _____ + _____
 (B) 24" (2 feet)

Pivot Springs: **Determining Spring Capacity:**
 Above tarp length calculation and your tarp material determines the number of springs your system requires.

General Aggregate (Mesh) Tarp Applications												
22ft	24ft	26ft	28ft	30ft	32ft	34ft	36ft	38ft	40ft	42ft	44ft	46ft
5-Spring												
60" Knuckle Pivot												
6-Spring												
84" Knuckle Pivot												
8-Spring												

Asphalt (Solid) Tarp Applications				
22ft	24ft	26ft	28ft	30ft
5-Spring				
6-Spring				

If you occasionally haul asphalt and plan to change your tarp, we highly recommend using the chart for asphalt tarps.

- Selected System:
1. Select a Tarp Spool: see p. 4
Part # _____
 2. Select a Pivot Set: see p. 5 or 6
Part # _____
 3. Select a Bow Set: see p. 5 or 6
Part # _____
 4. Roll-Rite® Tarp Selection: see p. 10-11 (specify by part number)
Part # _____ To ensure accuracy, orders for custom tarps (flapped, etc.) must be accompanied by an approved drawing.

Accessories: Please check or specify part number

Part # _____ Bow Centering Wedges (p. 7) Part # _____ Bow Stop Brackets (p. 7) 12760 SureFlex Plug Set (p. 7)

OR:

Roll-Rite® Quick-Pick Tarp Systems:

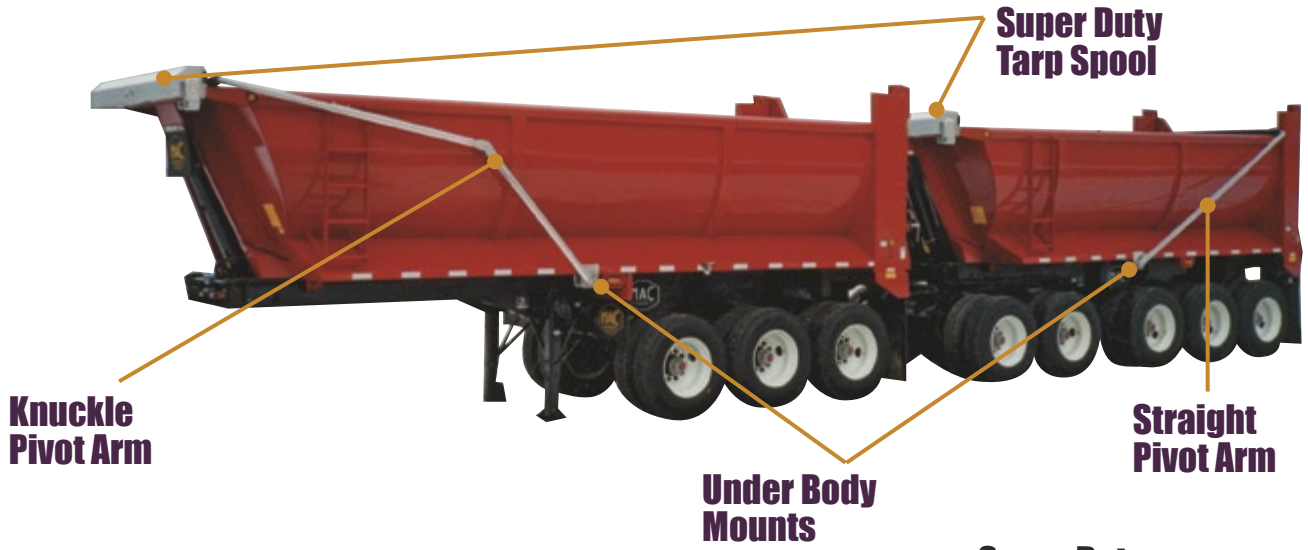
Check on p. 8-9 to see if a Quick Pick Tarp System will meet your application needs.

- Quick-Pick:
- A. Roll-Rite® Quick-Pick Tarp System (see p. 8-9) If specifying options, please check or indicate part numbers below under Options/Recommendations.
Part # _____
 - B. Roll-Rite® Tarp Selection (specify by part number)
Part # _____ To ensure accuracy, orders for custom tarps (flapped, etc.) must be accompanied by an approved drawing.

Specifying Dump Trailer Tarp Systems

How To Specify:

A complete **Roll-Rite® Front-to-Back Tarp System** can consist of **four** main system components: A Tarp Spool, a Pivot Set, a Bow Set and a Tarp. The following pages contain important fit considerations and recommendations for selecting system components that will best meet the needs of your trailer and application. Choosing the right system components is the best way to get maximum performance from your tarp system.



Super Duty Tarp Spools..... p.4

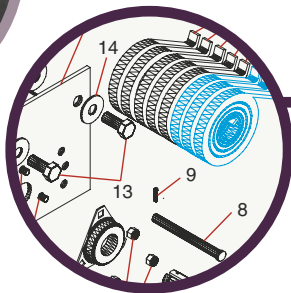
Pivot Armsp.5-6

Bows.....p.5-6

Accessoriesp.7

Quick-Pick Systems.....p.8-9

Tarps p.10-11



Parts & Diagramsp.12-15

Tarp Spool Diagrams..... p.12

Bow Set Diagrams.....p.13

Pivot Set Diagram..... p.14-15

Electric Tarp Motor & Electric Kit

Super Duty Tarp Motor:



Designed for bigger trucks, our patented Super Duty is the tarp industry's leading gear motor.

Features:

- **Engineered...** specifically for high torque tarping demands
- **Unique Performance...** Unlike competitive tarp motors, the Super Duty can reach peak performance because it requires only **half the amp draw** of any other tarp motor
- **High-Polished...** Chrome-plated casing, designed for virtually corrosion-proof protection, adds a distinctive profile to your truck for a professional appearance
- **Spur Gear Technology...** features a spur and helical gearing configuration with forged steel heat treated gears and precision ground ball bearings for a much longer transmission life than worm-style transmission
- **5-year Warranty...** Industry's first non-prorated warranty against premature wearout. The Super Duty gear motor is warranted for a period of 5-years

Super Duty Specifications:

Super Duty Series Motor	Part No.	Tarp Length Up To:	Non-Prorated Warranty	Bolt Mount Pattern	Melanited Hardened Steel Output Shaft		Gear Technology			RPM	Max. Torque (Ft-lb)
					Dim.	Hole	Style	Reduc.	Ratio		
Super Duty	10120	48'	5-Yr	6	1-7/16" L x 3/4"	Single	Spur	4-stage	61:1	66	150

Electric Kit w/ Solid State Relay:



Fit Considerations

- In-cab electric switch operation for easy operation
- Quick and easy installation into existing truck control panel or mounting on tower control console
- Kit comes complete with open/close momentary rocker switch w/ mounting bracket, solid state relay, terminal connectors and fasteners

Features:

- 5-Year Warranty: Solid State Relay features 5-Year warranty
- Built-in circuit protection for advanced motor and relay protection
- LED diagnostic light
- Relay potted for corrosion resistance

Roll-Rite® — Clearly the Best.

1-800-297-9905

Inside a Super Duty Tarp Spool Kit

Super Duty Tarp Spool Kits Include:

- High-polished Aluminum Housing (Pre-assembled with Super Duty Motor & Pre-Threaded Tarp Axle below)
- Super Duty Gear Motor
- Pre-Threaded Tarp Axle w/Stub Shaft
- Electric Kit w/ Open/Close Rocker Switch & Solid State Relay
- 6-gauge Dual Conductor Wire: 85 feet
- 14-gauge 3-Conductor Wire: 15 feet
- Mounting Hardware



Super Duty Tarp Spool Kits w/ Housing:

Part # Description

36020 Super Duty Tarp Spool w/92" Housing

36070 Super Duty Tarp Spool w/ 98" Housing

36120 Super Duty Tarp Spool w/ 104" Housing

Housing Fit Considerations

- Surrounds Tarp for Ultimate Wind & Tarp Protection
- Places Tarp And Bows Furthest Away From "Load Zone"
- Completely Pre-assembled with Super Duty Gear Motor
- Available in 92", 98", and 104" sizes



Pivots Sets

Pivot Arms & Tarp Bows:



Roll-Rite® Tarp Arms: The Bow & Pivot Arm

Each arm is comprised of a specially treated, high strength extruded aluminum alloy.

- **Strongest Arms...** Patented arm design and special extrusion delivers the lightest, most durable tarp arm with the best strength to weight ratio
- **Telescopic Fit...** Allows for easy installation and widest range of system variations
- **High Polished...** Each arm is buffed and polished to a mirror-like finish
- **Manufactured in America**

Under Body Mount w/ Pivot Arms:

Fit Considerations

- Polished Aluminum Roller Bearing Pivot Box
- Simple Narrow Profile Install
- Complete Pivot Sets are Sold Pre-Assembled with Both Passenger Side and Driver Side Pivots Arms



Part # Description

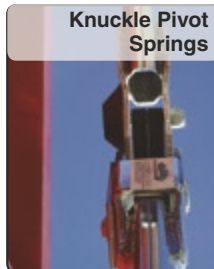
46550 Under-Body Mount 5-Spring Pivot Set w/96" Pivot Arms
 46580 Under-Body Mount 6-Spring Pivot Set w/144" Pivot Arms
 47600 Under-Body Mount 8-Spring Pivot Set w/192" Pivot Arms

Knuckle Arm Pivot Sets:

Keep tarp arm height to a minimum and reduce potential overhead hazards! Roll-Rite patented knuckle pivot technology is preferred for long dump trailer applications requiring low overhead clearance. With combined Under Body spring tension and knuckle pivot spring tension, you get lower and upper pivot arm that synchronizes to deploy the tarp at the lowest height possible.

Fit Considerations

- Recommended for Mesh Applications Only
- Pivot Stop Brackets are Included with Knuckle Pivot Arms.



Part # Description

46540 Under-Body Mount 60" Knuckle Pivot Set
 46840 Under-Body Mount 84" Knuckle Pivot Set

Roll-Rite® — Clearly the Best.

1-800-297-9905

For Pivot Set Part Diagram, See p. 15-16

Tarp Bow Sets:

Fit Considerations

- If You Need to Clear a Tailgate of Over 100" at the Widest Point use the Wide Bow Set (76720)
- Our Telescopic Bow & Arm Assembly Adjusts for a Customized Tarp System Fit



Part # Description

76700 Standard Tarp Bow Set (Includes 2- 76764 side arms and 1- 76770 cross arm)
76720 Wide Tarp Bow Set (Includes 2- 76764 side arms and 1- 76870 cross arm)

Bow Accessories:

Bow Centering Wedges:

- With Bow Centering Wedges, Bows Will Always Lay Centered and Square, Making a Clean Professional Appearance As Well As Adding Extra Stability to The Bows.

76600



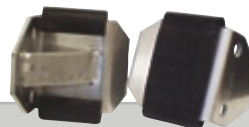
Part # Description

76600 Tarp Bow Centering Wedge (Pair)

Bow Stop Brackets:

- Bow Stop Brackets Mount on Both Sides of the Dump Body to Give the Bows a Solid Landing Point When Extending the Bows & Tarp Beyond the Tailgate is Required.

46950



Part # Description

46950 Stop Bracket (Pair)

Trailer Accessories

- Dual Conductor Plugset

12760



Part # Description

12760 Dual Conductor Plug Set

Quick-Pick Tarp Systems

Roll-Rite® Dump Trailer Quick-Picks!



20' - 24' Trailers:

Part # Description

65000 Super Duty 5-Spring UnderBody System for up to 26' of Tarp

65000 Tarp System Includes:

1. 36020 Super Duty Tarp Spool w/92" Housing
2. 46550 5-Spring UnderBody Mount Pivots w/96" Pivot Arms
3. 76720 Tarp Bow Set

For
Up To 26'
Of Tarp

For 20' - 24' Trailers

Tarp Length	84" Wide
22'	81220
24'	81240
26'	81260

Add A Premium Mesh Stock Tarp:

See p. 10-11 for tarp specs or custom order information.

Roll-Rite®— Clearly the Best.

1-800-297-9905

26' - 34' Trailers:

Part # Description

66000 Super Duty 6-Spring UnderBody System for up to 36' of Tarp

66000 Tarp System Includes:

1. 36020 Super Duty Tarp Spool w/92" Housing
2. 46580 6-Spring UnderBody Mount Pivots w/144" Pivot Arms
3. 76720 Tarp Bow Set

*For
28' To 36'
Of Tarp*



Add A Premium Mesh Stock Tarp:
See p. p. 10-11 for tarp specs or custom order information.

For 26' - 34' Trailers

Tarp Length	84" Wide
28'	81280
30'	81300
32'	81320
34'	81340
36'	81360

36' - 44' Trailers:

Part # Description

68000 Super Duty 8-Spring UnderBody System for up to 46' of Tarp

68000 Tarp System Includes:

1. 36020 Super Duty Tarp Spool w/92" Housing
2. 47600 8-Spring UnderBody Mount Pivots w/192" Pivot Arms
3. 76720 Tarp Bow Set

*For
38' To 46'
Of Tarp*



Add A Premium Mesh Stock Tarp:
See p. p. 10-11 for tarp specs or custom order information.

For 36' - 44' Trailers

Tarp Length	84" Wide
38'	81380
40'	81400
42'	81420
44'	81440
46'	81460

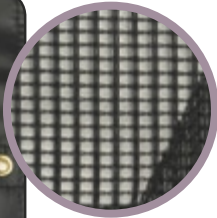
Roll-Rite® Premium Tarps

Selecting Roll-Rite® Tarp Fabrics

Stock Tarps are priced as each. Custom width, flapped or pleated are priced per lineal foot. To ensure tarp order accuracy, **please specify part no., width and length** on provided spec sheet (inside front cover).

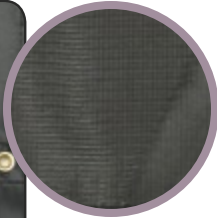
Please Note Heavy Duty Asphalt Recommendations*

Premium Mesh: For General Applications



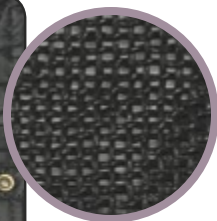
- **Excellent** blend of strength and breathability for general tarping
- Premium 7.7 oz. woven fabric made of two, 1,000 denier polyester twisted strands coated with UV resistant PVC
- 7.5x5 weave contains even fine particles yet breathes enough to minimize flapping
- Not broken down by sunlight like common PVC coated materials
- Edges bound to add strength and provide a finished appearance

Heavy Duty Asphalt: Premium Heavier Weight & Extra Wind Protection for Asphalt Loads



- Premium 18 oz. vinyl with heat welded finished edges
- Heavier weight minimizes tarp flapping in high wind
- Waterproof
- Grommets placed every 24" down the sides
- ***Solid tarps should be pretreated between asphalt loads in the same fashion as your truck beds**
- ***Solid tarps, especially solid pleated and flapped tarps, should be tied down using provided grommets. This will help prevent wind damage to components caused by flopping tarps**

Super Tough Mesh: for More Demanding Debris



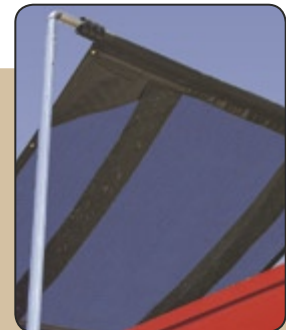
- Users experience **3 to 5 times** wear life over other scrap/refuse tarps
- Premium 13 oz Heavy Weight Woven Mesh made of 7,500 denier strands of UV resistant polypropylene
- 7x7 weave breathes enough to minimize flapping
- Not broken down by sunlight like common PVC coated materials
- Edges bound to add strength and provide a finished appearance

The Pleated Tarp Design:

Yes, you can have the benefits of both a straight tarp **and** a flapped tarp with **none** of the hassles. **Two pleated folds along the length of the tarp** actually expand up to 10' wide to function like flaps. The Pleated Tarp lets you:

- Eliminate shock cords
- Forget the seams
- Stop straining to reach the center of a flapped tarp
- Save Money

Pleated Tarps are a custom order and available in Premium Mesh, Super Tough Mesh or Heavy Duty Asphalt fabrics.



**The Pleated Tarp
Wider, Better and
Costs Less.**

Roll-Rite® — Clearly the Best.

1-800-297-9905

Stock & Custom Tarp Pricing

Premium Mesh:

Premium Mesh Stock 84" OR 88" Wide		
84" W Part#	88" W Part#	Length (ft)
81220	81221	22
81240	81241	24
81260	81261	26
81280		28
81300	88" Wide Non- Stock in 28' - 46' Lengths	30
81320		32
81340		34
81360		36
81380	Custom Order Only Please	38
81400		40
81420		42
81440		44
81460		46

Custom Premium Mesh

Part#	Description
81010	up to 84" wide
81020	85"-120" wide
81030	121"-144" wide
81050	12" Flaps w/Grommets
81060	12" Flaps w/Shock-cord

Heavy Duty Asphalt:

Heavy Duty Asphalt Stock 84" OR 88" Wide		
84" W Part#	88" W Part#	Length (ft)
83220	83221	22
83240	83241	24
83260	83261	26
83280	88" Wide Custom Order	28
83300		30
83320		32

Custom Heavy Duty Asphalt

Part#	Description
83010	up to 86" wide
83020	87"-124" wide
83050	12" Flaps w/Grommets
83060	12" Flaps w/Shock-cord

Super Tough Mesh:

Custom Super Tough Mesh

Part#	Description
86020	up to 120" wide
86050	12" Flaps w/Grommets
86060	12" Flaps w/Shock-cord

Pleated Tarps:

Custom Pleated Tarps

Part#	Description
81040	Pleated Mesh
83040	Pleated Heavy Duty Asphalt
86040	Pleated Super Tough Mesh

Special reinforcement requests may incur additional charges.
All Custom Tarp Orders (super tough mesh, flapped, pleated, etc) **Must Be Accompanied
 By An Approved Drawing.** (Please See Custom Order Policy, p. 23).

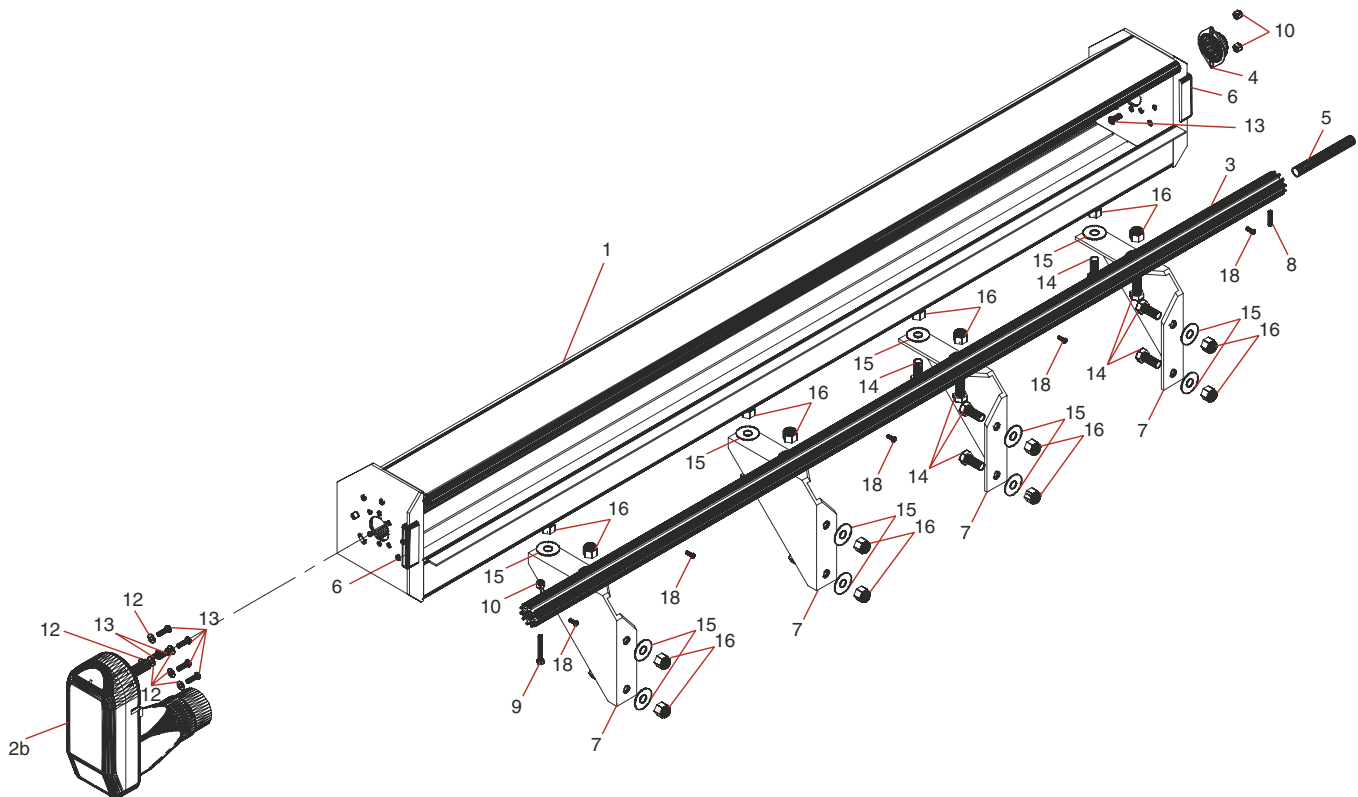
Tarp Spool Parts & Diagram

Tarp Spool w/ Housing

Diagram Covers the Following Spool Kits from p. 4:

*36020, *36070, *36120 Super Duty Tarp Spool w/ Housing

Ref#	Part#	Description
1a	36150	92" Tarp Spool Housing (Shell Only)
1b	36160	98" Tarp Spool Housing (Shell Only)
1c	36170	104" Tarp Spool Housing (Shell Only)
2b	10120	Gear Motor, Super Duty
3a	31020	91" Pre-Threaded Tarp Axle w/ Stub Shaft
3b	31030	97" Pre-Threaded Tarp Axle w/ Stub Shaft
3c	31040	103" Pre-Threaded Tarp Axle w/ Stub Shaft
4	31050	3/4" Axle Bearing w/ Flanges (Each, Includes Mounting Bolts)
5	10160	3/4" x 5 1/2" Axle Stub Shaft
6	36300	Rubber Bumper for Tarp Spool
7	36850	Aluminum Housing Support Braces
8	18370	5/16" x 1 1/4" Spring Pin
9	18280	5/16" x 2 1/2" Bolt
10	18613	5/16" Nylock Nut
12	18400	5/16" Flat Washer
13	18210	5/16" x 7/8" Button Head Bolt
14	18710	5/8" x 1 1/2" Hex Head Bolt
15	18414	5/8" USS Flat Washer
16	18635	5/8" Nylock Nut
18	18260	5/16" x 5/8" Button Head



Some components may be available in steel, please call for details.

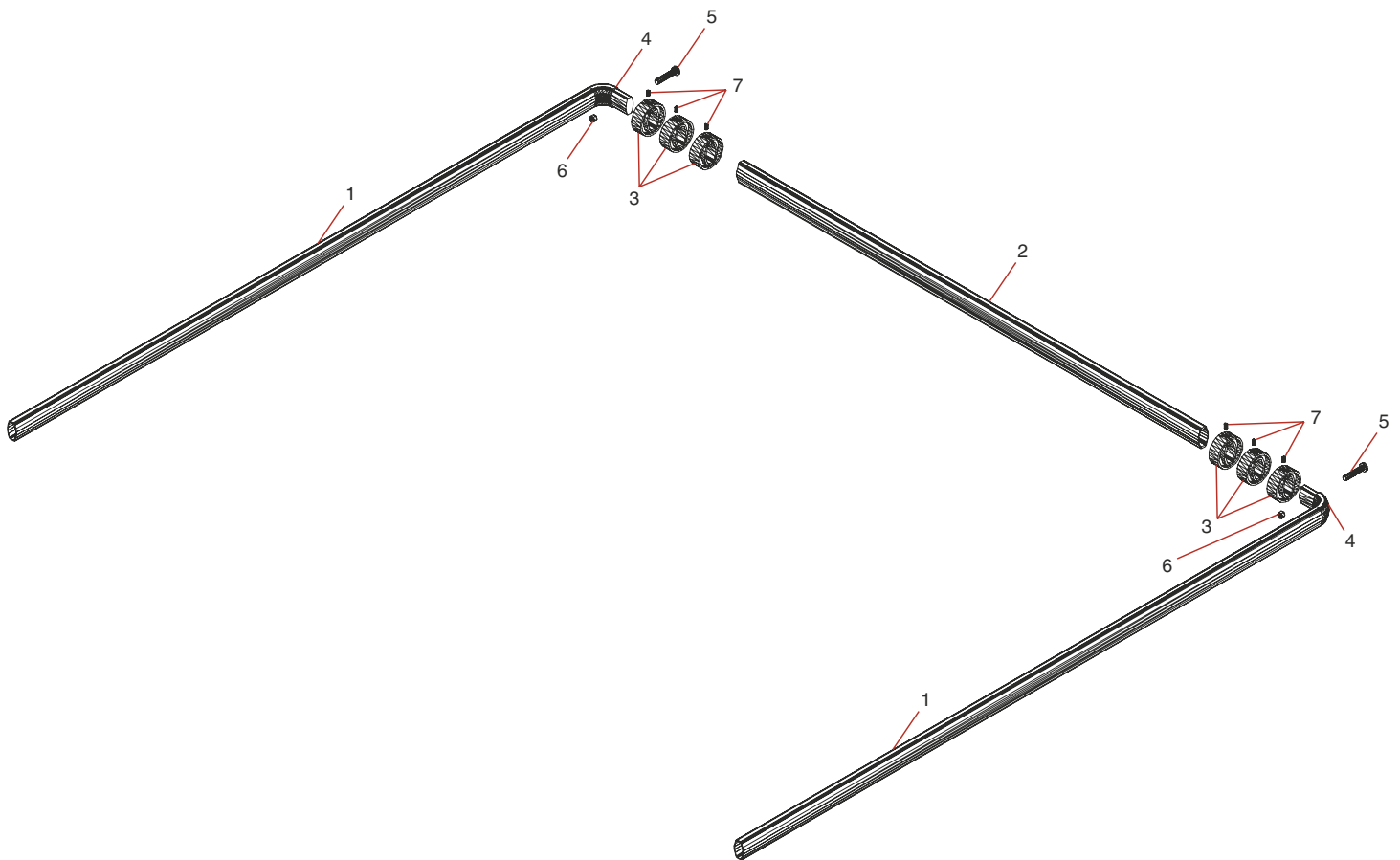
Roll-Rite® — Clearly the Best.

1-800-297-9905

Tarp Bow

Diagram Covers the Following Bow Sets from p. 5 or 6:
76700, 76720 Tarp Bow Set

Ref#	Part#	Description
1	76760	98" Side Arm w/ Corner for Tarp Bow (98" plus corner)
1b	76764	84" Side Arm w/Corner for Tarp Bow (84" plus corner)
2a	76770	Standard Top Tube for Tarp Bow (98" width)
2b	76870	Wide Top Tube for Tarp Bow (105 1/2" width)
3	76810	Tarp Centering Flange w/ Set Screw
4	76800	90° Corner
5	18214	5/16" x 1 3/4" Hex Head Bolt
6	18613	5/16" Nylock
7	18228	5/16"-18 x 1/2" Set Screw



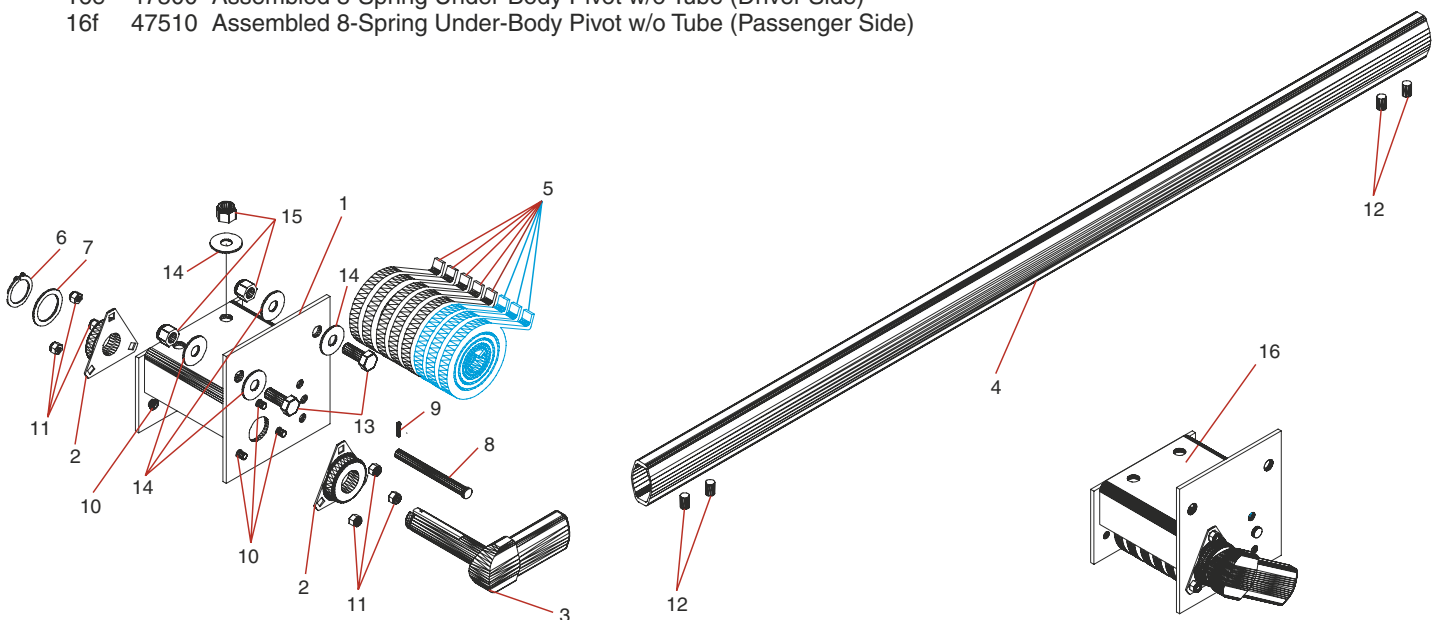
Pivot Set Parts & Diagrams

Under Body Mount Straight Arm Pivot Parts

Diagram Covers the Following Pivot Sets from p. 5:

46550, 46580 and 47600 Aluminum Under Body Mount Pivot Set

Ref#	Part#	Description
1a	46030	Bracket for 5-Spring Under-Body Pivots (Driver Side)
1b	46040	Bracket for 5-Spring Under-Body Pivots (Passenger Side)
1c	46010	Bracket for 6-Spring Under-Body Pivots (Driver Side)
1d	46020	Bracket for 6-Spring Under-Body Pivots (Passenger Side)
1e	47520	Bracket for 8-Spring Under-Body Pivots (Driver Side)
1f	47530	Bracket for 8-Spring Under-Body Pivots (Passenger Side)
2	47800	1 1/4" Carrier Bearing w/ Triangular Flange for Roller-Bearing Pivots
3a	46380	Pivot Pin for 5-Spring Under-Body—includes 47000 & 47010 (Driver Side)
3b	46390	Pivot Pin for 5-Spring Under-Body—includes 47000 & 47010 (Passenger Side)
3c	46360	Pivot Pin for 6-Spring Under-Body—includes 47000 & 47010 (Driver Side)
3c	46370	Pivot Pin for 6-Spring Under-Body—includes 47000 & 47010 (Passenger Side)
3e	47400	Pivot Pin for 8-Spring Under-Body—includes 47000 & 47010 (Driver Side)
3f	47410	Pivot Pin for 8-Spring Under-Body—includes 47000 & 47010 (Passenger Side)
4a	46250	96" Pivot Tube w/ Set Screws for 5-Spring Under-Body
4b	46260	144" (12') Pivot Tube w/ Set Screws for 6-Spring Under-Body
4c	47450	192" (16') Pivot Tube w/ Set Screws for 8-Spring Under-Body
5	47230	Spiral Torsion Spring (Fits All Roll-Rite Pivots w/ 1 1/4" Pivot Pins)
6	47000	Snap Ring for Pivot Pins
7	47010	Machinery Bushing for Pivot Pins
8a	18530	1/2" x 4-3/8" Clevis Pin
8b	18540	1/2" x 5-1/4" Clevis Pin
8c	18550	1/2" x 6-5/8" Clevis Pin
9	18299	1/8" x 1" Cotter Pin
10	18240	3/8" x 7/8" Button Head Bolt
11	18625	3/8" Nylock Nut
12	18293	1/2" x 3/8" Set Screw
13	18710	5/8" x 1 1/2" Hex Head Bolt
14	18414	5/8" USS Flat Washer
15	18635	5/8" Nylock Nut
16a	46090	Assembled 5-Spring Under-Body Pivot w/o Tube (Driver Side)
16b	46100	Assembled 5-Spring Under-Body Pivot w/o Tube (Passenger Side)
16c	46070	Assembled 6-Spring Under-Body Pivot w/o Tube (Driver Side)
16d	46080	Assembled 6-Spring Under-Body Pivot w/o Tube (Passenger Side)
16e	47500	Assembled 8-Spring Under-Body Pivot w/o Tube (Driver Side)
16f	47510	Assembled 8-Spring Under-Body Pivot w/o Tube (Passenger Side)



Roll-Rite®— Clearly the Best.

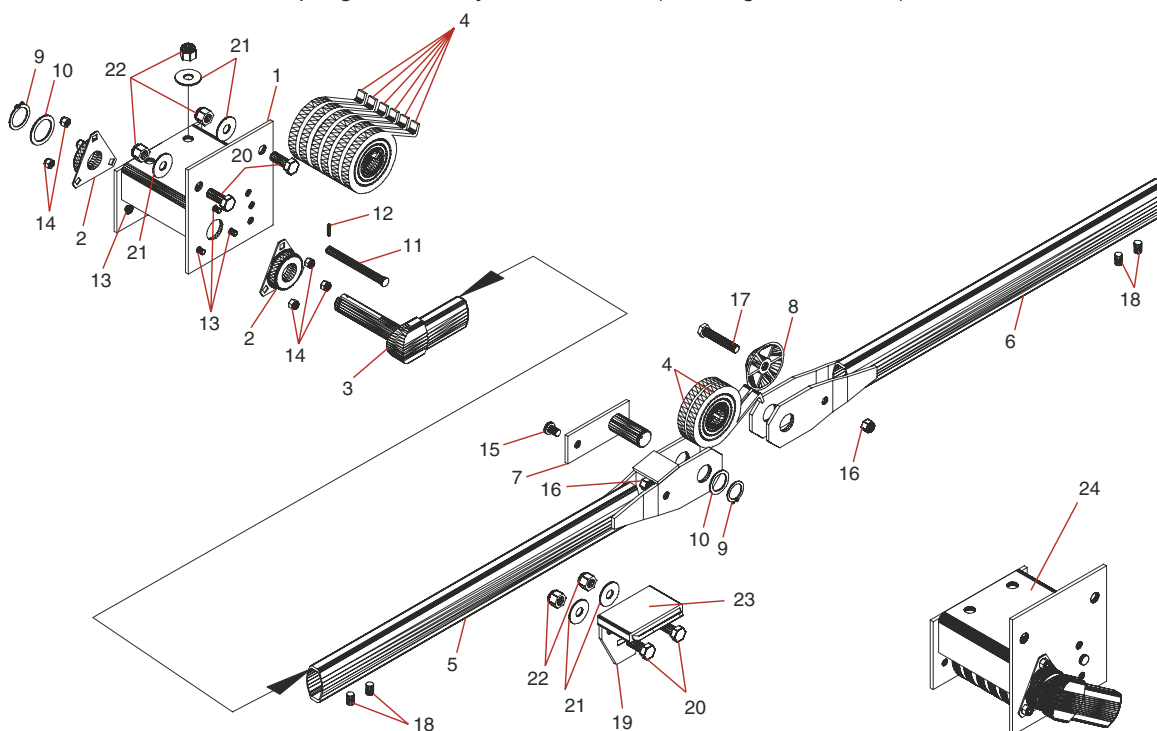
1-800-297-9905

Under Body Mount Knuckle Arm Pivot Parts

Diagram Covers the Following Pivot Sets from p. 6:

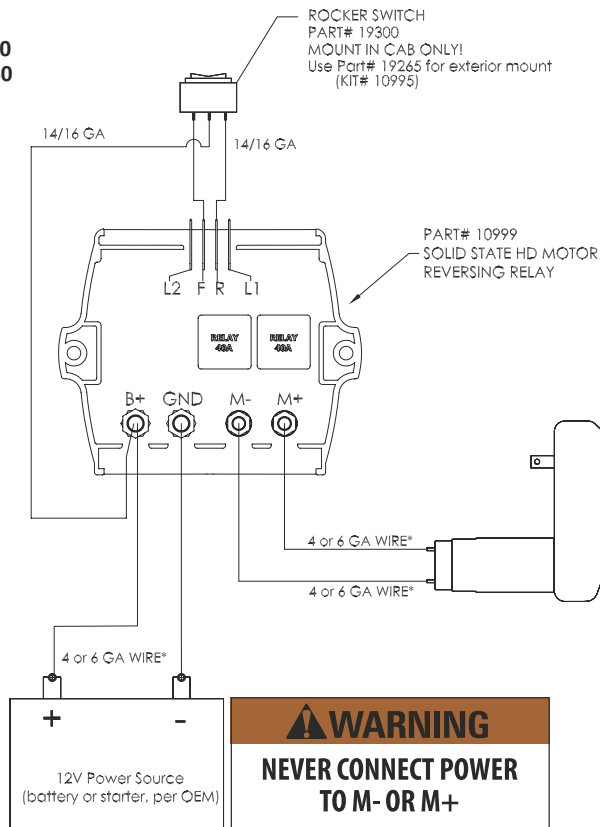
46540, 46840 Aluminum Under Body Mount Knuckle Pivot Sets

Ref#	Part#	Description
1a	46010	Bracket for 6-Spring Under-Body Pivots (Driver Side)
1b	46020	Bracket for 6-Spring Under-Body Pivots (Passenger Side)
2	47800	1 1/4" Carrier Bearing w/ Triangular Flange for Roller-Bearing Pivots
3a	46360	Pivot Pin for 6-Spring Under-Body—includes 47000 & 47010 (Driver Side)
3b	46370	Pivot Pin for 6-Spring Under-Body—includes 47000 & 47010 (Passenger Side)
4	47230	Spiral Torsion Spring (Fits All Roll-Rite Pivots w/ 1 1/4" Pivot Pins)
5a	46510	Aluminum 60" Base Pivot Tube w/ Side Plates and Set Screws for 60" Knuckle Pivot
5b	46810	Aluminum 84" Base Pivot Tube w/ Side Plates and Set Screws for 84" Knuckle Pivot
6a	46520	Aluminum 60" Upper Pivot Tube w/ Side Plates and Set Screws for 60" Knuckle Pivot
6b	46820	Aluminum 84" Upper Pivot Tube w/ Side Plates and Set Screws for 84" Knuckle Pivot
7a	46910	Knuckle Pin for All Knuckle Pivots—includes 47000 & 47010 (Driver Side)
7b	46920	Knuckle Pin for All Knuckle Pivots—includes 47000 & 47010 (Passenger Side)
8	47100	Knuckle Bow Bumper— includes bolt & nut
9	47000	Snap Ring for Pivot Pins
10	47010	Machinery Bushing for Pivot Pins
11	18540	1/2" x 5-1/4" Clevis Pin
12	18299	1/8" x 1" Cotter Pin
13	18240	3/8" x 7/8" Button Head Bolt
14	18625	3/8" Nylock Nut
15	18295	1/2" x 1-1/4" Button Head Bolt
16	18631	1/2" Nylock Nut
17	18297	1/2" x 2 3/4" Bolt
18	18293	1/2" x 3/8" Set Screw
19	46950	Aluminum Stop Bracket
20	18710	5/8" x 1 1/2" Bolt
21	18414	5/8" USS Flat Washer
22	18635	5/8" Nylock Nut
23	47110	Rubber Pad for Stop Bracket
24a	46070	Assembled 6-Spring Under-Body Pivot w/o Tube (Driver Side, Each)
24b	46080	Assembled 6-Spring Under-Body Pivot w/o Tube (Passenger Side, Each)



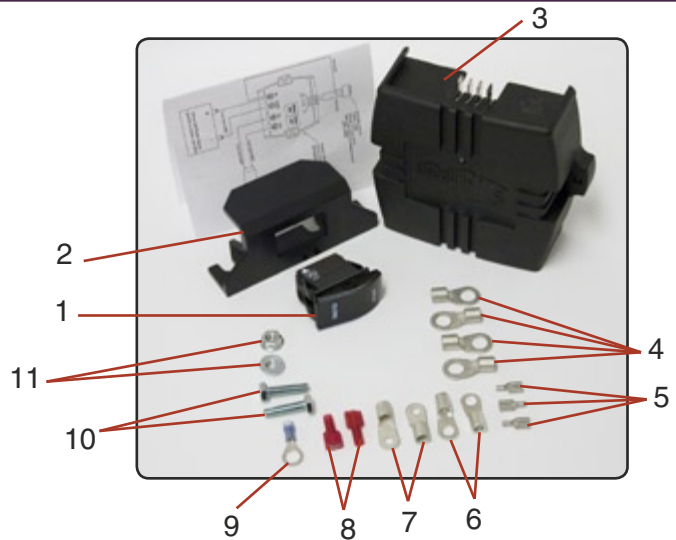
Solid State Relay Wiring Specifications:

- Motor Reversing Relay #10999
- Momentary Rocker Switch #19300
- 6 Ga. Dual Conductor Wire #11330
- 14 Ga. 3-Conductor Wire #11410



10990 Electric Kit & Replacement Parts:

Ref#	Part#	Description
1	10390	Bracket, Mounting for Rocker Switch
2	19300	Rocker Switch (OPEN-CLOSE)
3	10999	Relay, Solid State HD Motor Reversing (12 Volt)
4	16030	Terminal, E1R-38 6 ga. for Battery
5	16180	Terminal, B3FE-250 14 ga. Quick Disconnect
6	16021	6ga Terminal w/ 1/4" Ring
7	16020	E1R-10 Terminal for the Switch
8	16118	Terminal, 18 ga. insulated Quick Disconnect
9	16080	Terminal, B4R-38 14 ga. insulated w/ 3/8" ring
10	18700	1/4" x 1" Hex Head Bolt
11	16020	1/4" Wiz Nut



**AUTHORIZED
DISTRIBUTOR:**